

## 70'x12/14'x12' COMPLETE SUSPENSION FRAME DIRECTIONS

\*\*\*12' wide frame has 4"x16" 2-ways (C) and 4"x28" 3-ways (D)

\*\*\*14' wide frame has 9"x16" 2-ways (C) and 9"x28" 3-ways (D)

A	Beam Hanger Clamps / J Hooks	16	E	3"L 5/16" Eye Bolt and Nuts	16
B	5"L 5/16" Eye-Bolts and Nuts	16	F	2"L 5/16" Bolts and Nuts	32
C	2-way 1-1/2" Corners***	4	G	1/8" Support Cables	16
D	3-way 1-1/2" Corners***	12	H	1/4" U-Bolts	64

22 lengths of 10' pipe

1. Decide where you would like your frame located. Your frame will hang from the ceiling joists.
2. Assemble each Beam Hanger Clamp (A) using the 5" Eyebolts (B) so that it will loosely fit over the bottom of the ceiling joist. [Diagram 2]
3. Starting closest to the location where you want one end of the frame to be, attach the beam hangers so that they are 10' apart, **going the length of the frame**.
4. The **width of the frame holding eye bolts is 10'**, even though the frame is 12' or 14' wide. Install the beam hangers for the other side the frame the same way you did the first side, in the widths of 10'.
5. If the ceiling joists are not running the same way as the length of the net, attach the beam hangers, to the ceiling joists as close to 10' apart as you can.
6. Lay out the frame [Diagram 3]. The two-way corners (C) are for the four end corners. Lay out the 3-way corners (D) every 10' on both sides of the frame. Insert the 10' cross member pipes into the two-way and three-way corners and insert an eyebolt (E) at the joint. Then insert the 10' lengths of pipe along the sides into the corners and attach with the smaller bolts (F). See DIAGRAMS 4 and 5.
7. Put your cage over the frame. Make sure it is centered and put over the eye-bolts to hold it in place.
8. Starting on one side of the frame, Loop one length of the Cable (G) through the eye bolt (E) and clamp it down using 2 ea. u-bolts (H) [DIAGRAM 6]

**We suggest that you use a ladder or lift to raise the frame.**

9. Run all the cables through the eye, on the beam hangers, above each eyebolt. At one end corner, pull on the cable and raise the frame to height you want the frame so that there is some netting on the floor.
10. Secure the cable by attaching it to the same cable (or itself), where necessary, with two u-bolts.
11. Raise the other side of the end you are at the same distance and secure it the same way.
12. Raise the other end of the frame to the proper height and secure.
13. If possible have two or more people raise the center of the frame as you raise the unsecured end.
14. Proceed to pull the rest of the frame cables and secure them.
15. Adjust the height and cut the cables as needed.

Diagram 1

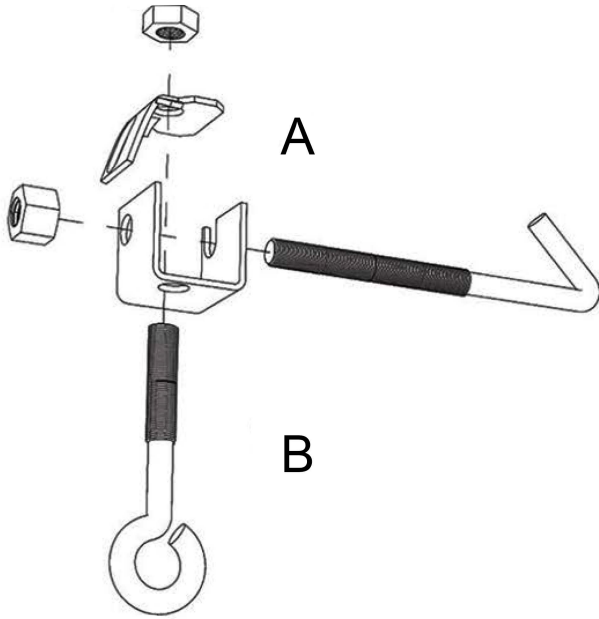


Diagram 2

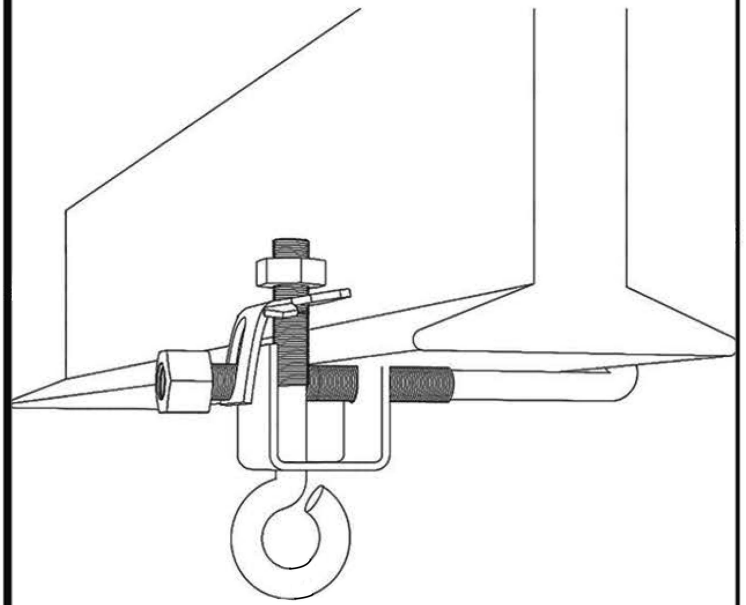


Diagram 3

C4	D12	D11	D10	D9	D8	D7	C3
9	10	11	12	13	14	15	
1	16	17	18	19	20	21	22
2	3	4	5	6	7	8	
C1	D1	D2	D3	D4	D5	D6	C2

Diagram 4

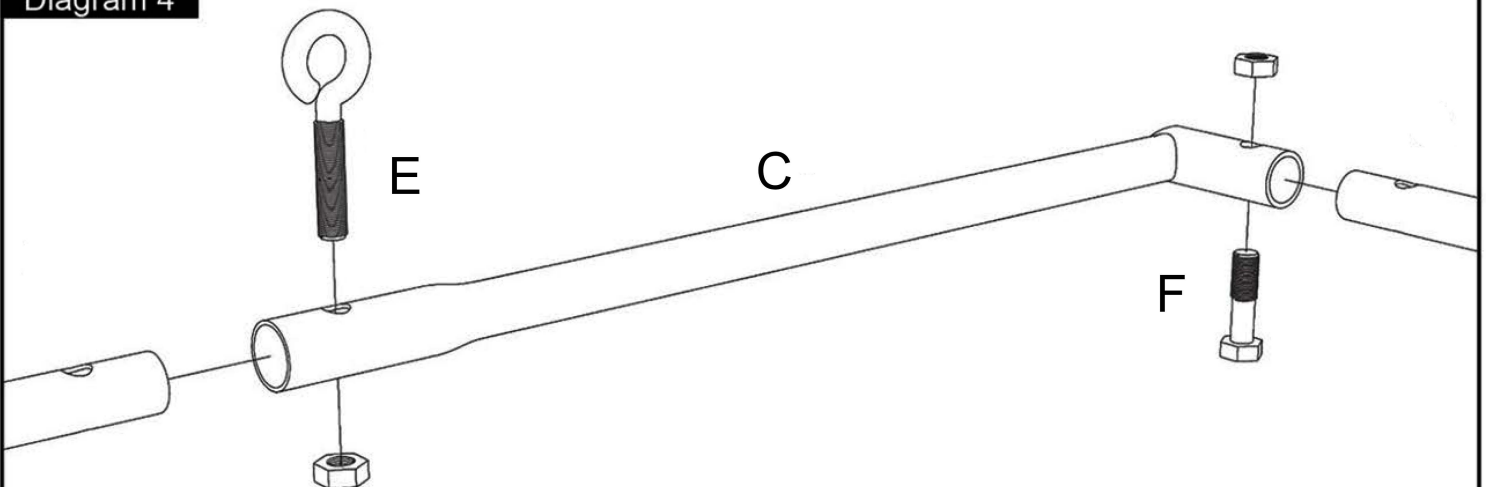


Diagram 5

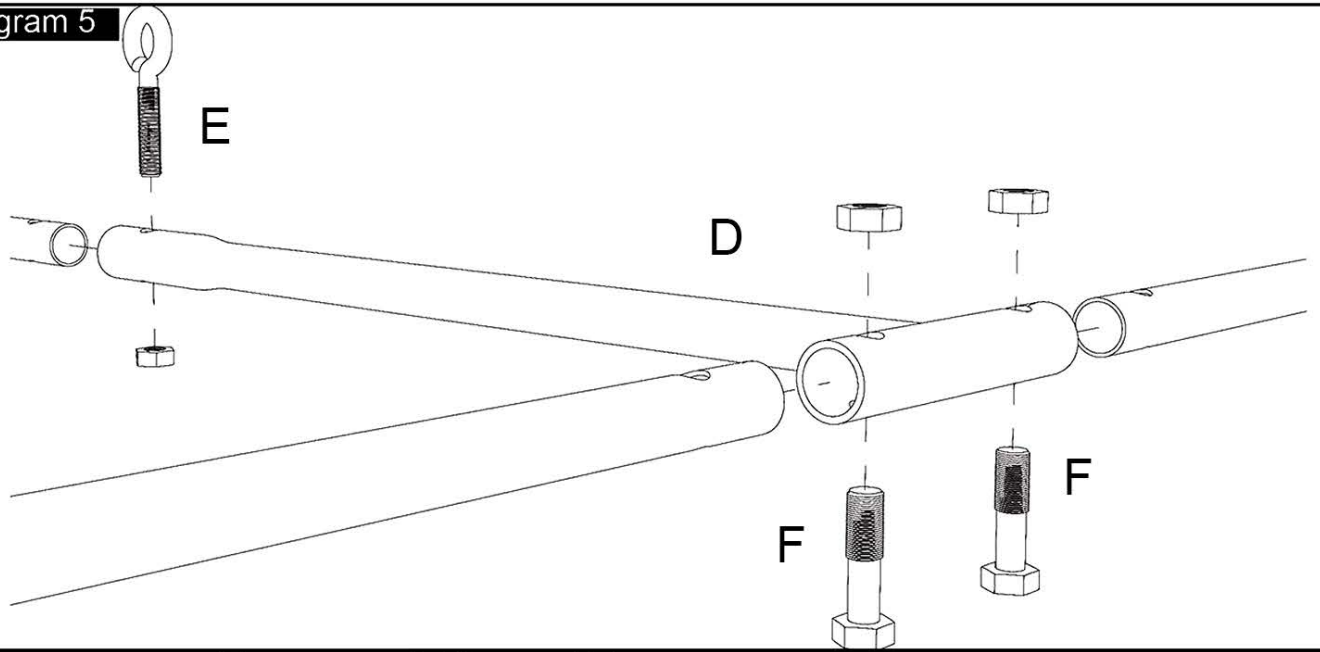


Diagram 6

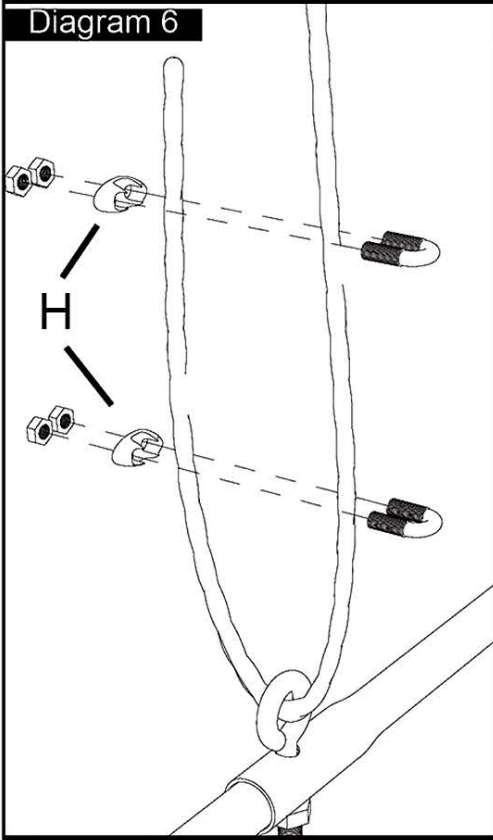


Diagram 7

